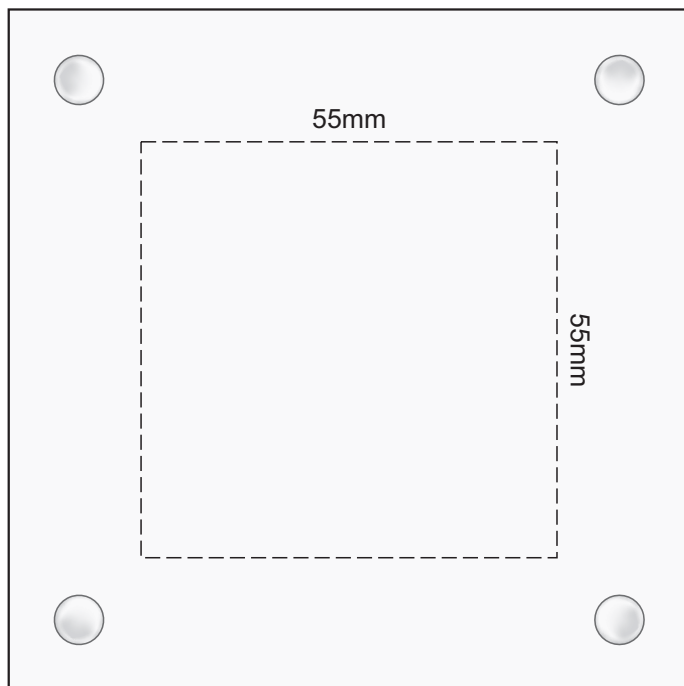
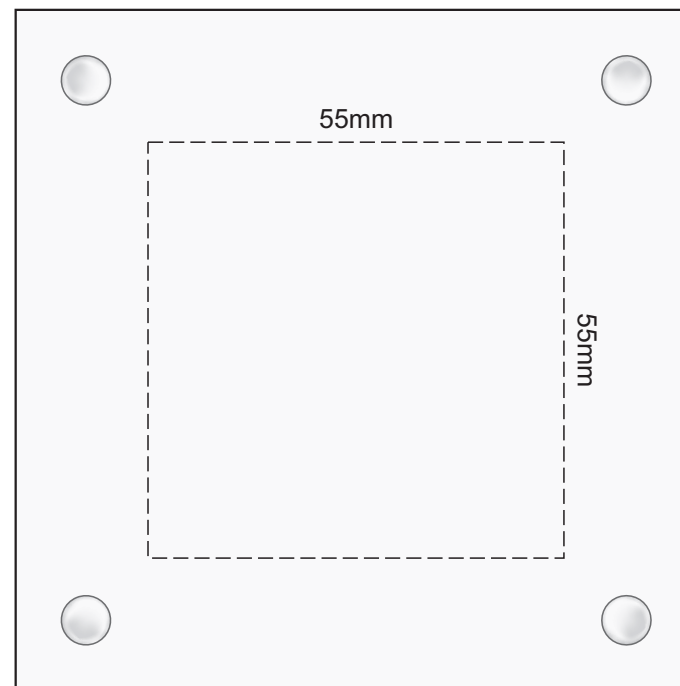


100% of Actual Size
Pad Print
Imitation Etch



Branding is on the underside of the coaster
Due to the inherent nature of cutting glass,
some degree of variation in the shape of the
coaster should be considered normal.

100% of Actual Size
Engraving



Branding is on the underside of the coaster
Due to the inherent nature of cutting glass,
some degree of variation in the shape of the
coaster should be considered normal.

 Laser Engraves to a
Natural Etch Finish