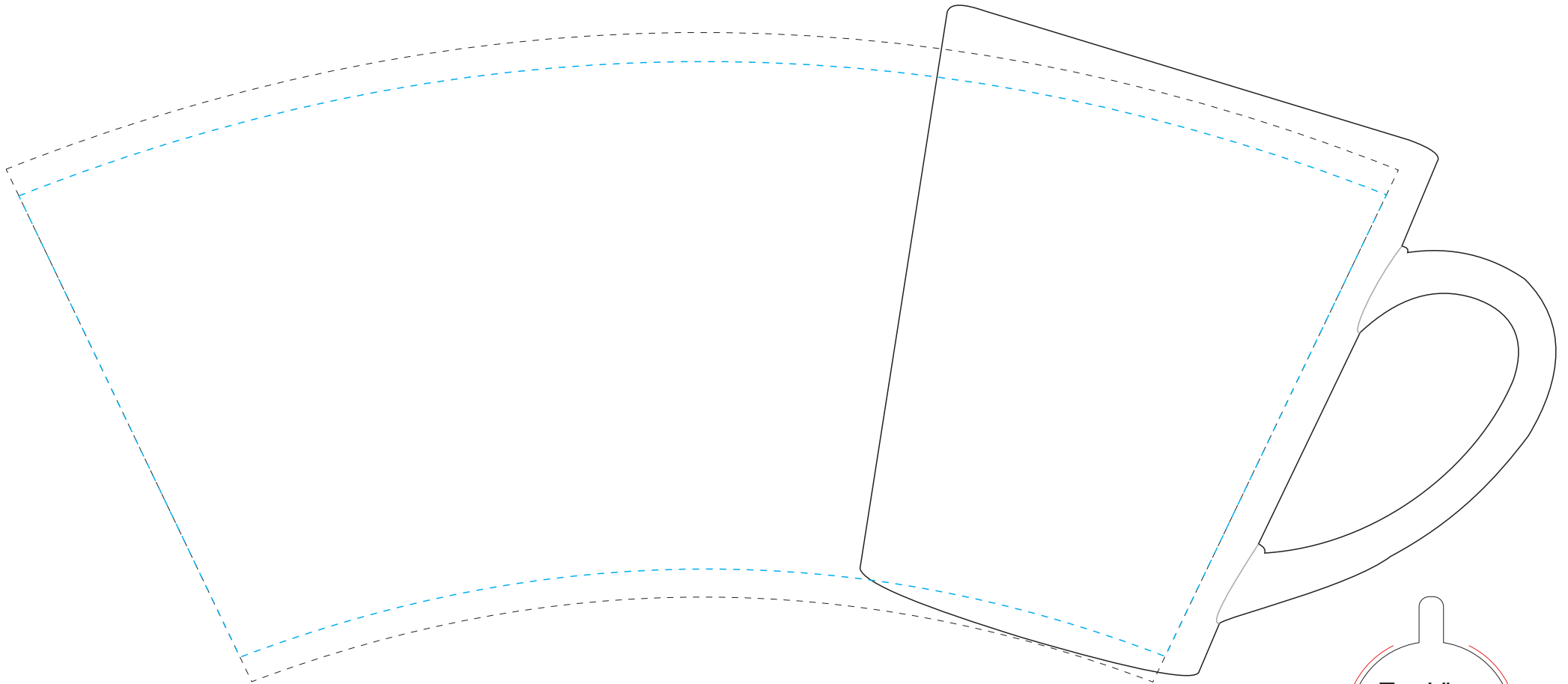


100% of Actual Size
Sublimation



QUALITY OF CERAMICS

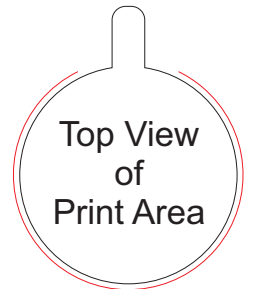
Due to the inherent properties of ceramic ware produced by foreign manufacturers, there may be small imperfections or irregularities which should not be perceived as defective. Variations in materials, firing temperatures and colour pigments may result in variations in glaze and imprint colours. These variations must be considered acceptable.

Please Note: Objects at the top of your artwork will have a different curve than objects near the bottom.
Due to the nature of these mugs - circular images may become slightly oval when the art is curved when printing.
There will also be white space between the top of the artwork and the lip of the mug. Bleeding off the top is not possible.

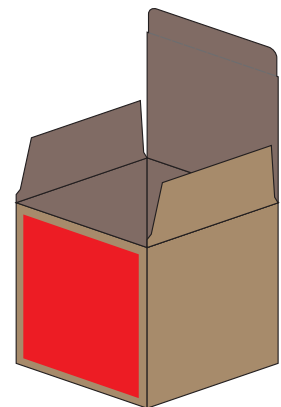
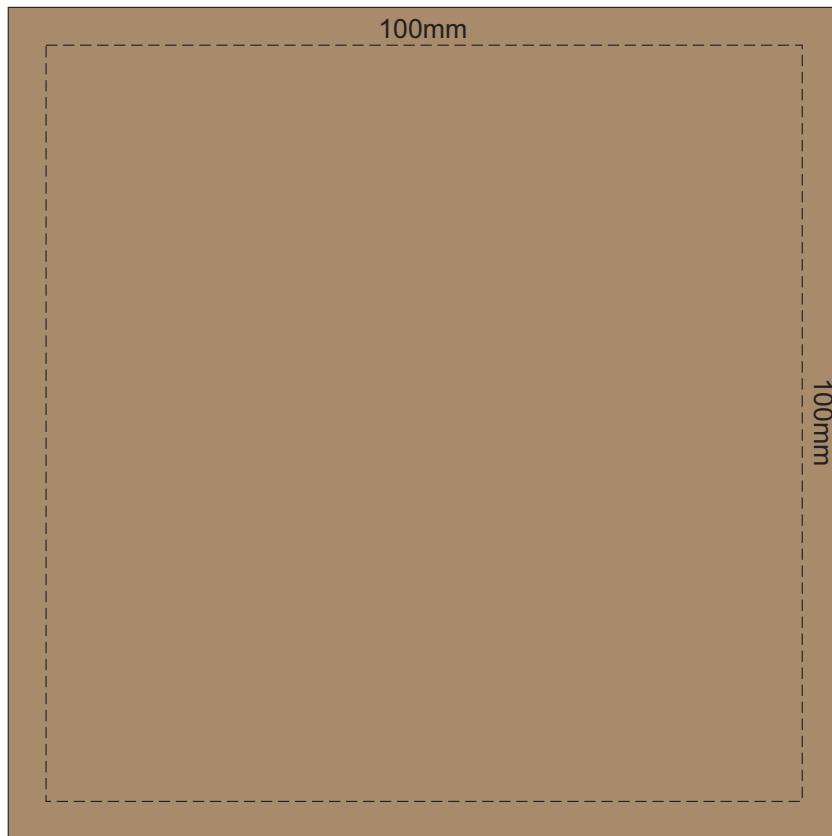
Blue Line = The SIGNIFICANT PRINT AREA

(Keep all critical images & text within this box)

Black Line = Maximum print area



100% of Actual Size
Digital Packaging Print

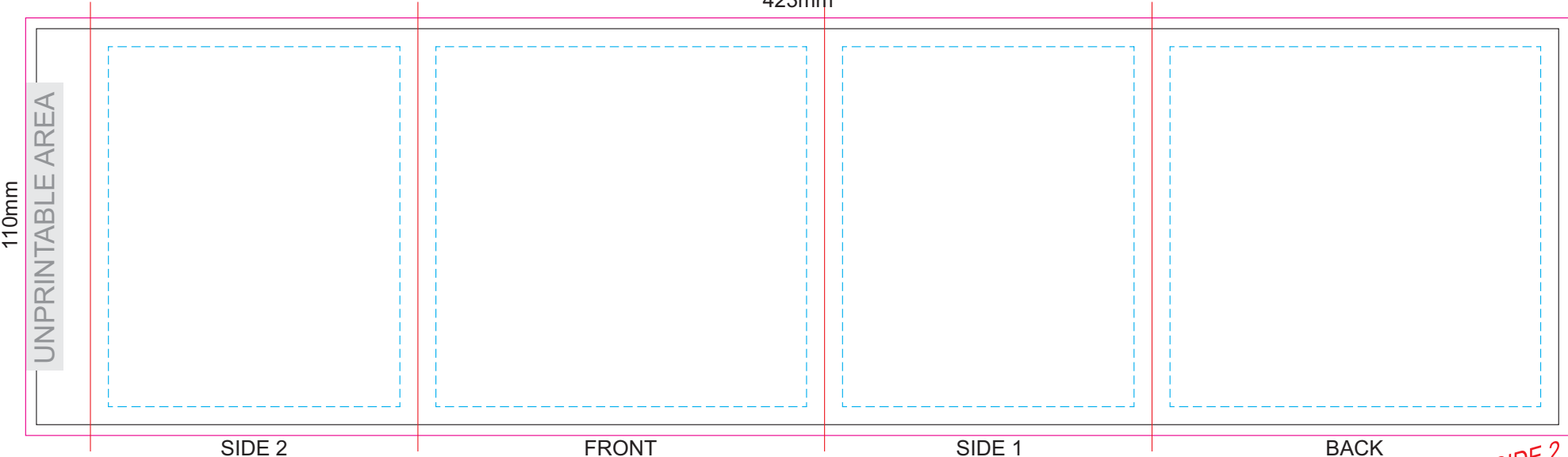


GIFT BOX
FRONT

Artwork will be printed directly onto the product via CMYK printing (no white), colours will not be vibrant due to white ink not being available for this process.

GIFT BOX SLEEVE

60% of Actual Size
Digital Print
423mm



Blue Line = The SIGNIFICANT PRINT AREA
(Keep all critical images & text within this box)
Black Line = Maximum print area
Pink Line = Bleed off to here
Red Line = Fold Line

